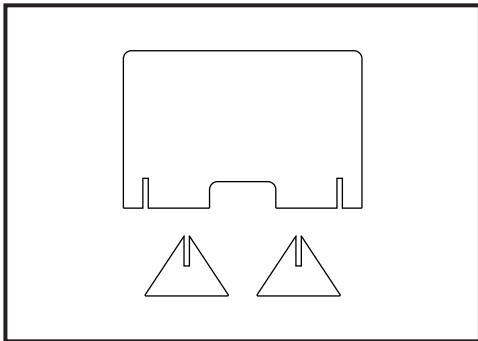
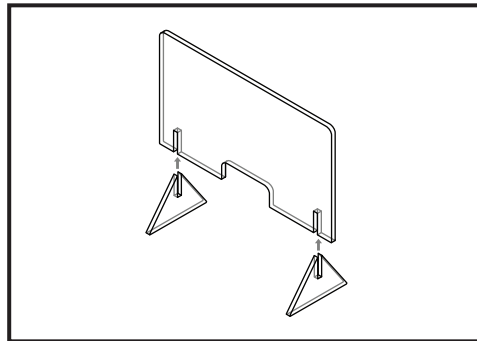


# PERSONAL PROTECTION SAFETY BARRIERS & SNEEZE GUARDS.

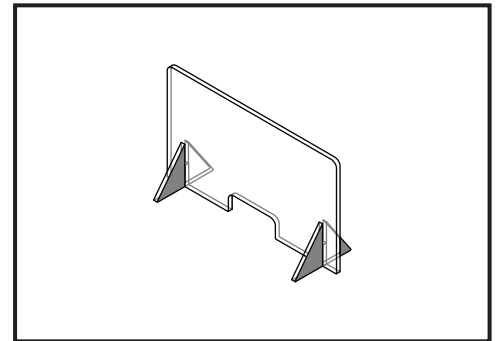


1. Lay out barrier parts. Remove masking from both sides of all parts.



2. Locate slots in barrier base and barrier feet. Orient barrier feet perpendicular to the barrier base and align slots. Slide the slots of the barrier feet into the barrier base slots until tight.

The bottoms of barrier feet should align with bottom of barrier base.



3. The barrier is freestanding and easy to move and reposition on a variety of desks and counter tops.

## CLEANING INSTRUCTIONS:

To clean our low maintenance acrylic barriers, use a clean soft cloth or microfiber towel and Novus acrylic cleaning products.

Warning: Using window cleaner, ammonia products, isopropyl alcohol, and paper towels on acrylic plastics may cause scratches and damage to the surface.

If a scratch does occur we recommend Novus Fine Scratch Remover (Novus # 2) to remove haze, abrasions and fine imperfections.